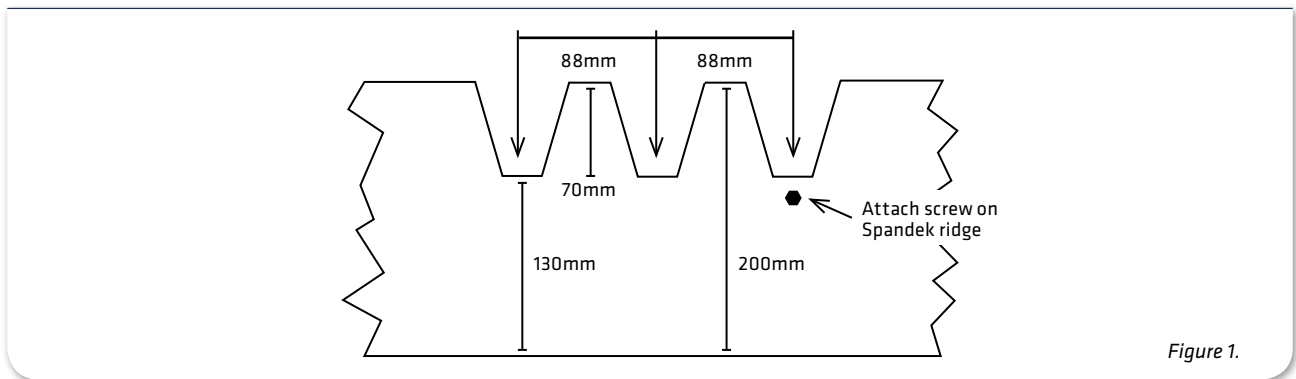


SPANDEK® PROFILE

Figure 1 displays pre-profiled cut-out dimensions. Rib cut-outs are typical of standard Lysaght SPANDEK® ribs.

Sheet sizes can be ordered in increments of 10mm from 200mm up to 600mm in width. Sheet sizes less than 200mm are available on request.

Spandek product dimensions:



Materials

- Bluescope COLORBOND® steel is available in 22 Primary Colours.
- AS 1397 Grade 300 XRW AM100
- QEMCO is an Australian brand partner of Bluescope steel who supplies our raw materials used in production.
- Aluminium: 5005-H34 - Mill finish



Material Specifications

| PRODUCT CODE | STANDARD SHEET SIZE | | THICKNESS (MM) | STRAND WIDTH (MM) | NOMINAL PATTERN SIZE | | FREE AIR SPACE (%) | MASS (KG/M ²) | KNUCKLE WIDTH | |
|--------------|---------------------|-----|----------------|-------------------|----------------------|-----|--------------------|---------------------------|---------------|------------------|
| | LW | SW | | | LWM | SWM | | | | |
| QE75C | 1200 | 200 | 0-55 | 1-4 | 10-7 | 5-5 | 45-60 | 2-5 | 2-6 | COLORBOND® STEEL |
| QE75A | 1200 | 200 | 0-80 | 1-4 | 10-7 | 5-3 | 45 | 1-3 | 2-5 | ALUMINIUM |
| QE105C | 1200 | 200 | 0-55 | 1-2 | 6-4 | 3-8 | 26-40 | 2-7 | 2-4 | COLORBOND® STEEL |

Compliance

- To the current Australian Standard for the Construction of Buildings in bushfire prone area's AS 3959:2018